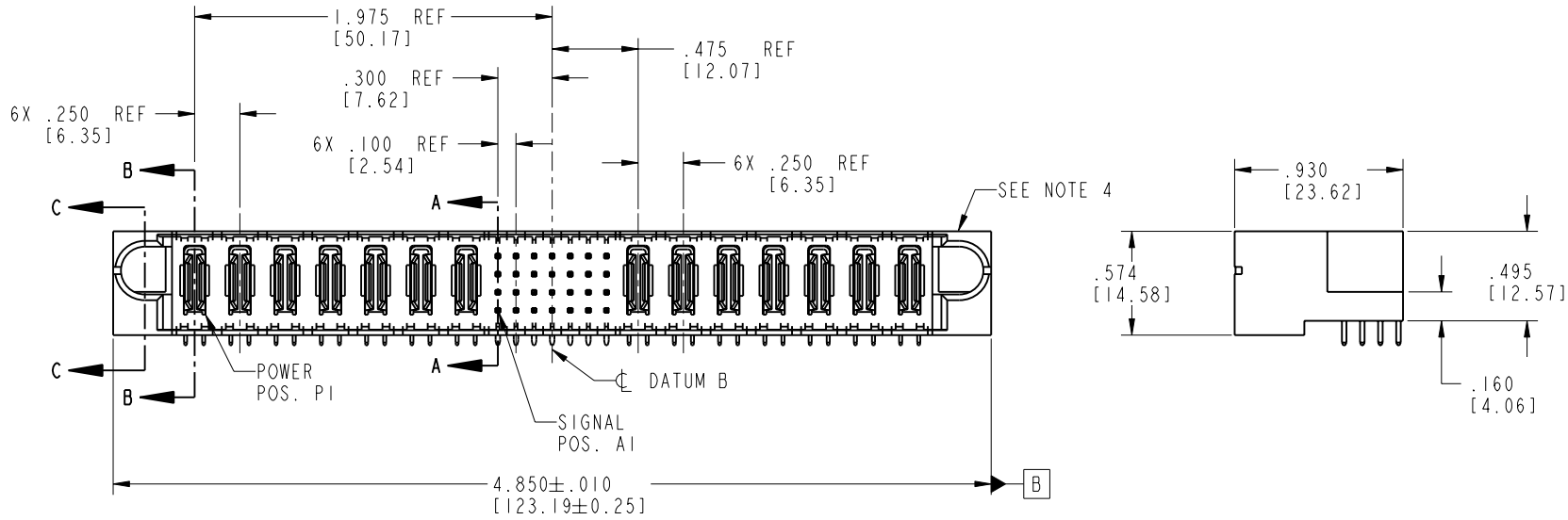


Tous droits strictement réservés. Reproduction ou communication o des liens interdite sous quelque forme que ce soit sans autorisation écrite du propriétaire. Propriété de c FCI. Droits de reproduction FCI.

All rights strictly reserved. Reproduction or issue to third parties in any form whenever is not permitted without written authority from the proprietor. Property of FCI. Copyright FCI.

PRODUCT NO.	ROWS	POWER							SIGNAL							POWER							E2
		E1	P1	P2	P3	P4	P5	P6	P7	1	2	3	4	5	6	7	P8	P9	P10	P11	P12	P13	
51730-080-- NOTE: 3	D C B A																						



CODE	DIM "M" MATING LENGTH		CONTACT TYPE
PA	N/A	[N/A]	POWER
U	.270	[6.86]	SIGNAL
T	.270	[6.86]	SIGNAL
S	.270	[6.86]	SIGNAL
R	.270	[6.86]	SIGNAL
G	.220	[5.59]	SIGNAL
F	.220	[5.59]	SIGNAL

mat'l code				SEE NOTE 2		tolerances unless otherwise specified		CUSTOMER	
ltr	ecn no.	dr	date	linear	.XX±.01/0.X±0.3		COPY		
A	V03-0756	TAB	07/09/03		.XXX±.005/0.XX±0.13		projection		
B	DG05-0501	GuoJM	11/24/05	angles	.XXX±.0020/0.XXX±0.051		INCH/MM		
					0°±2°		scale		
				dr	T. BRUNGARD	07/09/03	1:1		
				engr	M. MOSTOLLER	07/09/03			
				chr	M. MOSTOLLER	07/09/03			
				appd	M. MOSTOLLER	07/09/03			
sheet index	revision sheet	B	B	B	B				
		1	2	3	4				

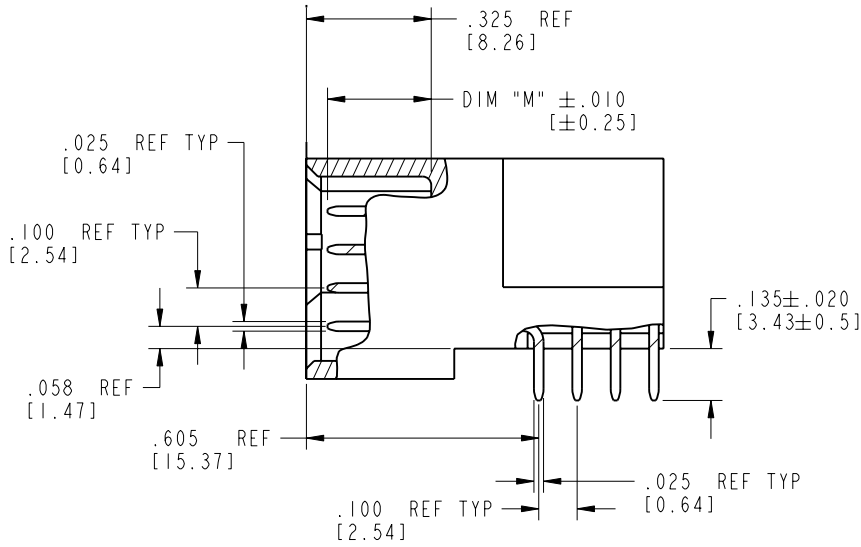
		www.fciconnect.com	
title		7P + 28S + 7P	
product family		PwrBlade	
code	size		dwg no
213	A		51730-080
sheet	cage code		4
1 of 4	22526		

Pro/E

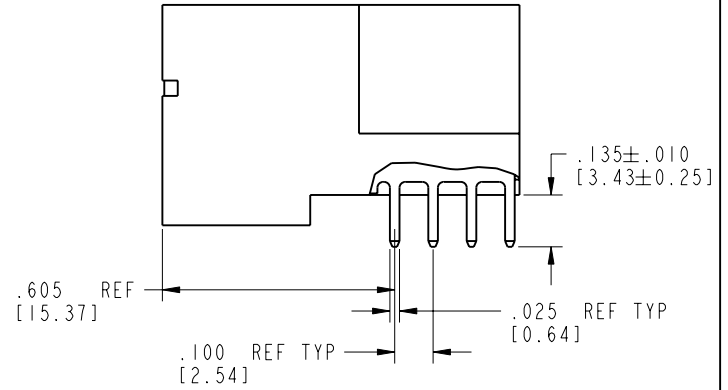
Tous droits strictement réservés. Reproduction ou communication o des liers interdite sous quelque forme que ce soit sans autorisation écrite du propriétaire. Propriete de c FCI. Droits de reproduction FCI.

All rights strictly reserved. Reproduction or issue to third parties in any form, whatever is not permitted without written authority from the proprietor. Property of FCI. Copyright FCI.

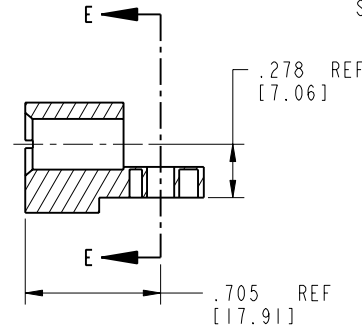
PRODUCT NUMBER
51730-080--
NOTE: 3



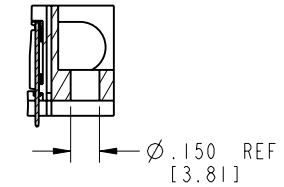
BROKEN-OUT SECTION A-A
SCALE 2:1



BROKEN-OUT SECTION B-B
SCALE 2:1



SECTION C-C



PARTIAL SECTION E-E

mat'l code				SEE NOTE 2		tolerances unless otherwise specified		CUSTOMER		 www.fciconnect.com	
lfr	ecn no.	dr	date	linear	.XX±.01/0.X±0.3		COPY		 INCH/MM	title	
B					.XXX±.005/0.XX±0.13		projection			7P + 28S + 7P	
				angles	.XXX±.0020/0.XXX±0.051		 INCH/MM		RIGHT ANGLE SOLDER HEADER		
					0° ± 2°		scale		product family		
				dr	T. BRUNGARD	07/09/03	1:1		PwrBlade		
				engr	M. MOSTOLLER	07/09/03			code		
				chr	M. MOSTOLLER	07/09/03			213		
				appd	M. MOSTOLLER	07/09/03			sheet		
sheet index		revision sheet						A		51730-080	
										2 of 4	

cage code 22526

Pro/E

PDM: Rev:B

STATUS: Released

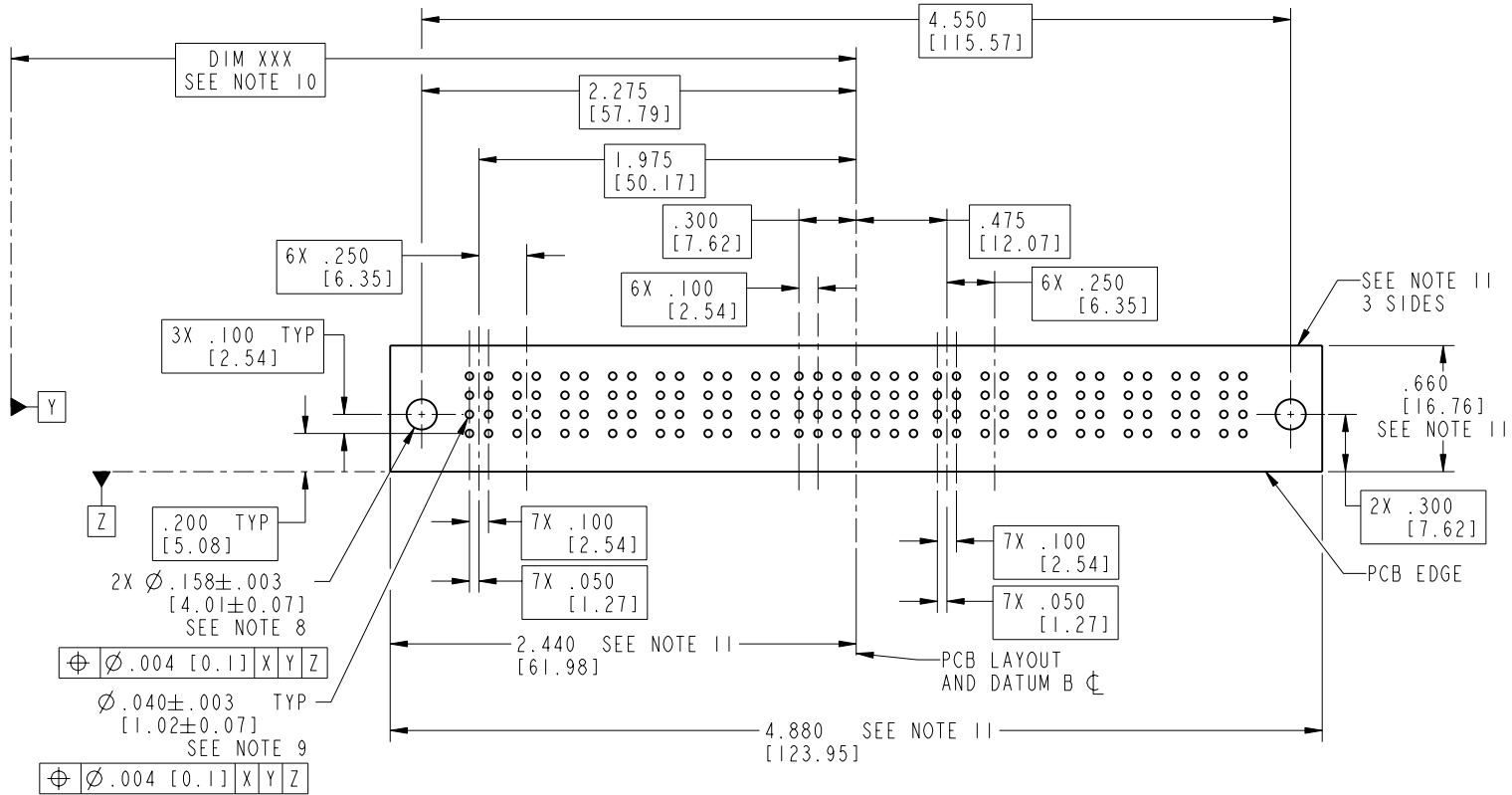
Printed: Aug 12, 2007

Tous droits strictement réservés. Reproduction ou communication o des liens interdite sous quelque forme que ce soit sans autorisation écrite du propriétaire. Propriété de c FCI. Droits de reproduction FCI.

All rights strictly reserved. Reproduction or issue to third parties in any form, whatever is not permitted without written authority from the proprietor. Property of FCI. Copyright FCI.

PRODUCT NUMBER

51730-080__
NOTE: 3



RECOMMENDED PCB LAYOUT

mat'l code				SEE NOTE 2		tolerances unless otherwise specified		CUSTOMER		 www.fciconnect.com	
ltr	ecn no.	dr	date	linear	.XX±.01/0.X±0.3		COPY		 INCH/MM	title	
B					.XXX±.005/0.XXX±0.13		projection			7P + 28S + 7P	
					.XXXX±.0020/0.XXX±0.051		 scale			RIGHT ANGLE SOLDER HEADER	
				angles	0° ± 2°		dr T. BRUNGARD 07/09/03 engr M. MOSTOLLER 07/09/03 chr M. MOSTOLLER 07/09/03 appd M. MOSTOLLER 07/09/03		product family		
							scale		PwrBlade		
							1:1		code		
									213		
									size		
									A 51730-080		
									sheet		
									3 of 4		
sheet index	revision sheet										

cage code 22526

Pro/E

PDM: Rev:B

STATUS: Released

Printed: Aug 12, 2007

Tous droits strictement réservés. Reproduction ou communication o des liers interdite sous quelque forme que ce soit sans autorisation écrite du propriétaire. Propriete de c FCI. Droits de reproduction FCI.

A **FCI**

All rights strictly reserved. Reproduction or issue to third parties in any form, whenever is not permitted without written authority from the proprietor. Property of FCI. Copyright FCI.

B

PRODUCT NUMBER

51730-080__
NOTE: 3

NOTES:

1. DIMENSIONS AND TOLERANCES ARE IN ACCORDANCE WITH ASME Y14.5M, 1994 UNLESS OTHERWISE SPECIFIED.

CONNECTOR NOTES:

2. HOUSING MATERIAL: UL 94 V-0 GLASS FILLED HIGH-TEMP THERMOPLASTIC
POWER CONTACT MATERIAL: COPPER ALLOY
SIGNAL PIN MATERIAL: COPPER ALLOY

3. PLATING:

51730-080 Singal Pin:30u"/0.76um Au OVER 50u"/1.27um Ni ON THE CONTACT AREA,
AND 100u"/2.54um SnPb PLATING OVER 50u"/1.27um Ni ON THE TERMINATION SECTION.
Power Pin:30u"/0.76um Au OVER 50u"/1.27um Ni ON THE CONTACT AREA,
AND 100u"/2.54um SnPb PLATING OVER 50u"/1.27um Ni ON THE TERMINATION SECTION.

51730-080LF Singal Pin:30u"/0.76um Au OVER 50u"/1.27um Ni ON THE CONTACT AREA,
AND 78u"/2.00um Sn PLATING OVER 50u"/1.27um Ni ON THE TERMINATION SECTION.
Power Pin:30u"/0.76um Au OVER 50u"/1.27um Ni ON THE CONTACT AREA,
AND 78u"/2.00um Sn PLATING OVER 50u"/1.27um Ni ON THE TERMINATION SECTION.

PART NUMBER 51730-080LF MEETS EUROPEAN UNION DIRECTIVE AND JOTHER COUNTRY REGULATIONS AS DESCRIBED IN GS-22-008.

THE HOUSING WILL WITHSTAND EXPOSURE TO 260° PEAK TEMPERATURE FOR 10 SECONDS IN A WAVE SOLDER APPLICATION WITH A CIRCUIT BOARD.

4. MANUFACTURER'S NAME, P/N, AND DATE CODE TO APPEAR ON THIS SURFACE.

5. PRODUCT SPECIFICATION GS-12-149.
APPLICATION SPECIFICATION BUS-20-067.

6. PACKAGED IN TRAYS.

PCB NOTES:


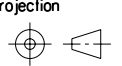
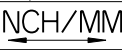
7. ALL HOLE DIAMETERS ARE FINISHED HOLE SIZE.

8. MOUNTING HOLES, WHERE APPLICABLE, ARE UNPLATED.

9. $\varnothing .0453 \pm .0010$ [1.151 \pm 0.025] DRILLED HOLES PLATED WITH .0003 [0.008] MIN SnPb OVER .001 [0.03] TO .003 [0.08] Cu PLATING TO ACHIEVE $\varnothing .040 \pm .003$ [1.02 \pm .07] HOLE.

10. "DIM XXX" TO BE DETERMINED BY THE CUSTOMER.

11. CONNECTOR KEEP-OUT ZONE.

mat'l code				SEE NOTE 2		tolerances unless otherwise specified		CUSTOMER		 FCI www.fciconnect.com		
ltr	ecn no.	dr	date	linear	.XX \pm .01/0.X \pm 0.3		COPY					
B					.XXX \pm .005/0.XX \pm 0.13		projection		title 7P + 28S + 7P			
				angles	.XXX \pm .0020/0.XXX \pm 0.051				RIGHT ANGLE SOLDER HEADER			
					0° \pm 2°		INCH/MM		product family PwrBlade		code 213	
				dr	T. BRUNGARD	07/09/03	scale 1:1		size		sheet 4 of 4	
				engr	M. MOSTOLLER	07/09/03			dwg no		51730-080	
				chr	M. MOSTOLLER	07/09/03			A			
				appd	M. MOSTOLLER	07/09/03						
sheet index		revision sheet										

A

A

1 | 2

Pro/E

3 |

coge code 22526

4

B